

## 304 STAINLESS STEEL ENVIROLINE® SERIES SINGLE-DOOR ENCLOSURES FOR FLANGE-MOUNTED DISCONNECTS

### Application

Designed to house most standard type disconnects. For outdoor applications a drip shield is recommended. For installation information, consult our installation manual at [www.saginawcontrol.com](http://www.saginawcontrol.com).

### Construction

- 0.075" stainless steel Type 304.
- Seams continuously welded and ground smooth.
- Flange trough collar around all sides of door opening.
- Pour in place oil and water resistant gasket.
- Collar studs provided for mounting optional subpanels.
- Holes provided in body for mounting disconnect operating handle and operating mechanism.
- Stainless steel concealed hinges.
- Doors are interchangeable and easily removed by pulling hinge pin.
- 3-point latching mechanism.
- Latches are opened or closed with screwdriver (optional tamper-resistant inserts available).
- Mounting holes in back of enclosure.
- Mounting hardware, sealing washers and hole plugs included.
- Black quarter turn latches as required.
- Removable print pocket.
- Ground studs on door and body.
- Black zinc die cast coinproof/padlocking handle.

Disconnect switch (or circuit breaker) and operating mechanism are not furnished with this enclosure.

### Finish

#4 brushed finish on all exterior surfaces. Optional subpanels powder coated white.

### IS6 Industry Standards

NEMA Type 3R, 4, 4X, 12 & Type 13  
UL Listed Type 3R, 4, 4X & 12  
CSA Type 3R, 4, 4X & 12  
IEC 60529 IP66

\*\*\*To maintain Type 3R listing, drainage is required. Install equally rated drainage device or drill a 1/8 to 1/4 inch hole in the bottom center of the enclosure, approximately 1 inch from the right, and 1 inch from the left for drainage, use listed rain-tight or wet location hubs. Drip shield over the door is recommended for all outdoor applications.

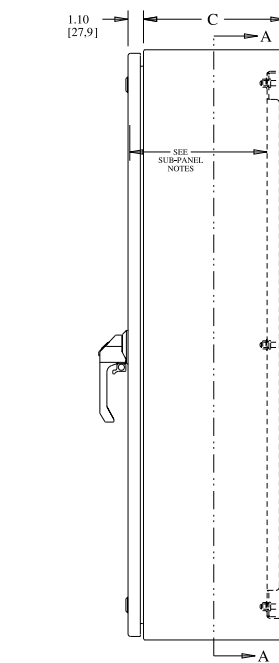
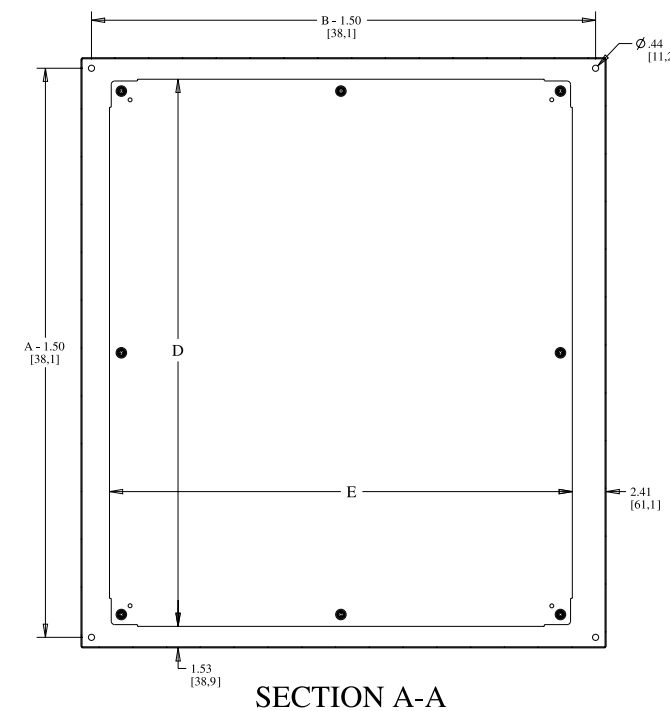
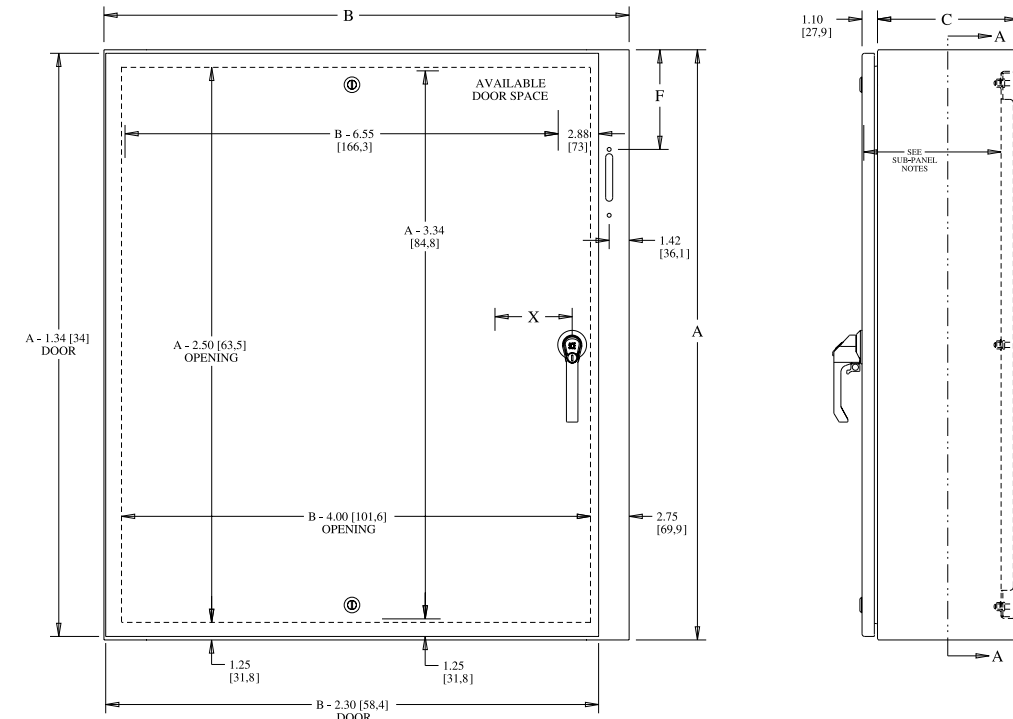
Enclosure Product Code S5

Subpanel (P5)

Catalog No.	Height (A)	Width (B)	Depth (C)	Industry Standard	Catalog No.	Panel Height (D)	Panel Width (E)
<a href="#">SCE-20XEL2108SSLP</a>	20.00	21.38	8.00	IS6	<a href="#">SCE-20P20</a>	17.00	17.00
<a href="#">SCE-24XEL2108SSLP</a>	24.00	21.38	8.00	IS6	<a href="#">SCE-24P20</a>	21.00	17.00
<a href="#">SCE-24XEL2508SSLP</a>	24.00	25.38	8.00	IS6	<a href="#">SCE-24P24</a>	21.00	21.00
<a href="#">SCE-24XEL2510SSLP</a>	24.00	25.38	10.00	IS6	<a href="#">SCE-24P24</a>	21.00	21.00
<a href="#">SCE-30XEL2508SSLP</a>	30.00	25.38	8.00	IS6	<a href="#">SCE-30P24</a>	27.00	21.00
<a href="#">SCE-30XEL2510SSLP</a>	30.00	25.38	10.00	IS6	<a href="#">SCE-30P24</a>	27.00	21.00
<a href="#">SCE-36XEL2508SSLP</a>	36.00	25.38	8.00	IS6	<a href="#">SCE-36P24</a>	33.00	21.00
<a href="#">SCE-36XEL3110SSLP</a>	36.00	31.38	10.00	IS6	<a href="#">SCE-36P30</a>	33.00	27.00
<a href="#">SCE-36XEL3112SSLP</a>	36.00	31.38	12.00	IS6	<a href="#">SCE-36P30</a>	33.00	27.00
<a href="#">SCE-42XEL3110SSLP</a>	42.00	31.38	10.00	IS6	<a href="#">SCE-42P30</a>	39.00	27.00
<a href="#">SCE-42XEL3112SSLP</a>	42.00	31.38	12.00	IS6	<a href="#">SCE-42P30</a>	39.00	27.00
<a href="#">SCE-42XEL3712SSLP</a>	42.00	37.38	12.00	IS6	<a href="#">SCE-42P36</a>	39.00	33.00
<a href="#">SCE-42XEL3716SSLP</a>	42.00	37.38	16.00	IS6	<a href="#">SCE-42P36</a>	39.00	33.00
<a href="#">SCE-48XEL3710SSLP</a>	48.00	37.38	10.00	IS6	<a href="#">SCE-48P36</a>	45.00	33.00
<a href="#">SCE-48XEL3712SSLP</a>	48.00	37.38	12.00	IS6	<a href="#">SCE-48P36</a>	45.00	33.00
<a href="#">SCE-48XEL3716SSLP</a>	48.00	37.38	16.00	IS6	<a href="#">SCE-48P36</a>	45.00	33.00
<a href="#">SCE-60XEL3712SSLP</a>	60.00	37.38	12.00	IS6	<a href="#">SCE-60P36</a>	57.00	33.00
<a href="#">SCE-60XEL3716SSLP</a>	60.00	37.38	16.00	IS6	<a href="#">SCE-60P36</a>	57.00 </td <td>33.00</td>	33.00



## 304 STAINLESS STEEL ENVIROLINE® SERIES SINGLE-DOOR ENCLOSURES FOR FLANGE-MOUNTED DISCONNECTS TECHNICAL DATA



**SUB-PANEL NOTES:**  
Dimensions are from the inside of the door.  
C + .32 [8.1] for flat sub-panels  
C - .18 [4.5] for bent sub-panels

**DISCONNECT NOTES:**  
F = 4.75 [121] when C = 8.00 [203]  
F = 7.09 [180] when C = 10.00 [254]  
F = 11.62 [295] when C = 12.00 [304]  
F = 11.62 [295] when C = 16.00 [406]  
F = 18.38 [467] for SCE-60XEL3712LP4

**LATCH NOTES:**  
Omit center latch top and bottom of door when door width is <= 30.00" [762]

**HANDLE NOTES:**  
On enclosures <= 42.00 [1067]  
X = 5.50 [140] and use 5.00 [127] padlocking handle with coin-proof.  
On enclosures > 42.00 [1067]  
X = 6.75 [171] and use 7.00 [178] padlocking handle with coin-proof.

Enclosures with a height dimension < 40.00 [1016] have a 2-point door closing mechanism.

Enclosures with a height dimension of >= 40.00 [1016] have a 3-point door latching mechanism.

**CONSTRUCTION NOTES:**  
Door will be 0.125 [3.1] thick material when enclosure height is >= 42.00 and door width is > 24.00